

Series 1800

• Air Compressors • Washdown

To handle single 5/8" or 3/4" I.D. hose.

- Lightweight, compact reels designed for long lengths of hose in manual and power rewind.
- Direct crank rewind is permanently attached.
- Chain and sprocket drive powered by electric, hydraulic or compressed air motor.
- Manual reels include cam-lock drag brake, spring actuated pin lock.
- Standard inlet: 90° ball bearing swivel joint, 1" female NPT threads.
- Standard outlet: 3/4" female NPT threads.
- Standard pressures to 2000 psi (138 bar), available up to 4000 psi (276 bar) – must specify.
- Temperatures from -40°F to +250°F (-40°C to +121°C).
- Rollers and roller mounting brackets are accessory items. Specify roller position.



Electric rewind
Standard configuration shown



Optional External Mounting Brackets

Part No. 9906.0027.
Add 2-1/2" to the X dimensions shown in the chart.

PARTS DRAWING – ISO 136 (POWER); ISO 180 (MANUAL)

Model Number For power rewind see Note 5	Hose Capacity of Reel feet m			Approx. Weight Crank Rewind lb. kg see Note 3			Reel Dimensions*** in. mm						
	I.D. in. mm	5/8 16	3/4 19	NET	UPS/ FedEx SHIP Wt.	Freight SHIP Wt.	A	B	E CRANK	E POWER	F CRANK	F POWER	X
	O.D. in. mm	1 25	1-9/32 40										
1816-17-18		75 23	50 15	28 13	80* 36	63 29	13 330	8 203	16.5 419	19 483	24.13 613	18.5 470	11.5 292
1822-17-18		150 46	100 30	30 14	98* 45	65 29	19 483	14 356	16.5 419	19 483	30.13 765	24.5 622	17.5 445
1826-17-18		200 61	125 38	32 15	98* 45	67 30	23 584	18 457	16.5 419	19 483	34.13 867	28.5 724	21.5 546
1830-17-18		250 76	150 46	33 15	110* 50	68 31	27 686	22 559	16.5 419	19 483	38.13 968	32.5 826	25.5 648
1836-17-18		300 91	200 61	36 16	129* 59	71 32	33 838	28 711	16.5 419	19 483	44.13 1121	38.5 978	31.5 800

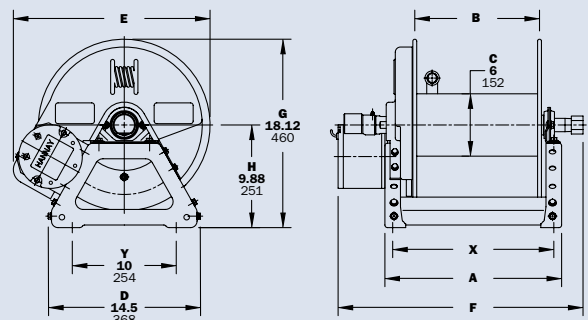
Notes:

1. Specifications subject to change.
2. Upon request, reels can be supplied with drum lengths other than shown.
3. Weights shown in chart are for crank rewind models. ADD these amounts for power rewind models (does not apply to FedEx or UPS):

	Net lbs/kg	Ship lbs/kg
Electric	18/8.2	18/8.2
Hydraulic	15/6.8	15/6.8
Air	15/6.8	15/6.8

4. Dimension "F" is the overall length of standard model reels.
5. When ordering power rewind models, prefix model number with:
 - A** = Air Rewind – Supplied with control valve and 18" air hose.

- E** = Electric Rewind – 12v and 24v DC rewind reels are supplied with switch and solenoid; 115v AC rewind reels are not supplied with switch but can be ordered separately.
 - HD** = Hydraulic Rewind – Not supplied with control valve.
 - 6. Manual rewind available in RT or LB configurations only.
 - 7. **Finish:** Refer to page 3.
 - 8. **Be sure to check dimensions and weights prior to ordering.**
 - 9. Some roller options may prohibit the use of our molded chain guard.
- NOTICE:** A flexible connector must be used between the inlet pipe and the inlet swivel joint.
- * Dimensional weight applies when shipped as a parcel package (via FedEx or UPS Ground).
- *** X, Y indicate mounting holes. See page 5.



Power rewind shown