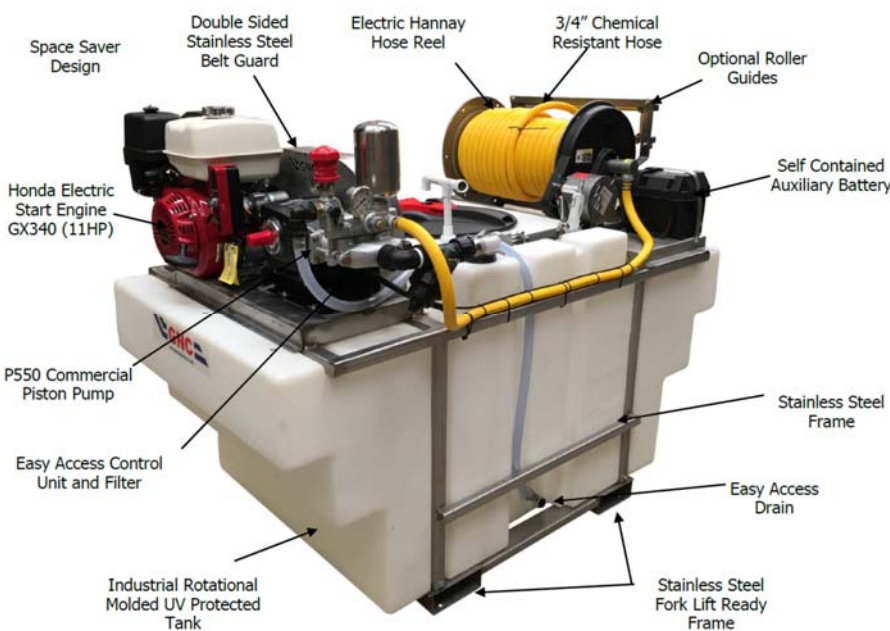


# Self Contained Tree Sprayer

This sprayer allows you the flexibility to operate without being tethered to your truck. This sprayer has its own *rechargeable battery system*.



## Features

- 300 Gallon Space Saving Designed Tank
- Rugged 15gpm Piston Pump
- 11hp Electric Start Honda Engine
- Mounted 12vdc Battery and Recharge Kit
- 22" Electric Hose Reel with Roller Guides
- 150' of 3/4" ID Hose
- Stainless Steel Frame with Fork Slats
- AirGap Backflow Prevention
- Jet Agitation
- Lockable Lid
- *Can also be used as an Anti-Icing rig*

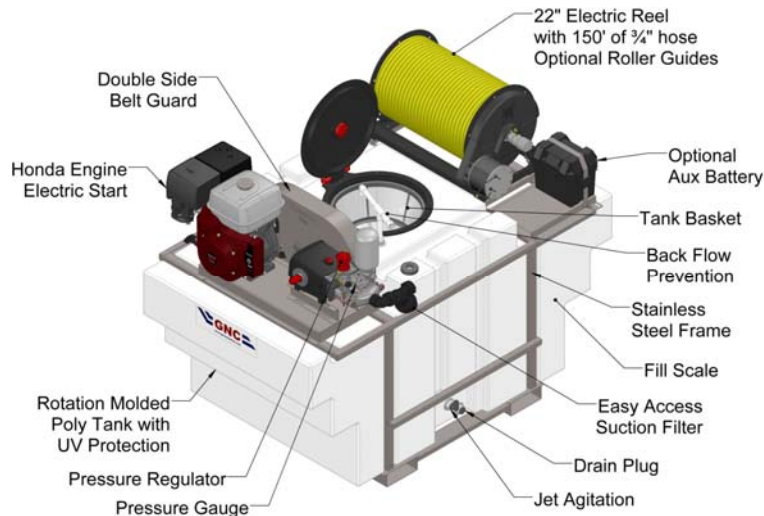


870.248.9901

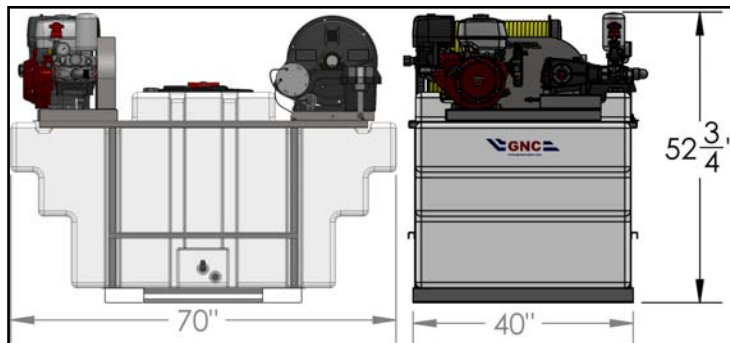
[sales@gnci.org](mailto:sales@gnci.org)

[www.gncindustries.com](http://www.gncindustries.com)

# Self Contained Tree Sprayer



Picture shows 21-83SSA9-P550 with 53-HAE1830-B



## Standard Features

- 300 Gallon Space Saver Tank
- Honda GX340 Electric Start Engine with battery and charging system
- P550 Piston Pump (15GPM/600PSI max)
- 22" Electric Reel with 150' x 3/4" Hose
- Stainless Steel Frame
- Jet Agitation
- Easy Access Suction Filter
- Belt Guard
- 16" Lockable Lid
- Tank Basket
- Back Flow Prevention
- Fork Lift Skids
- Quick Disconnects

Reel Packages	Reel	Hose
53-HAE1830-B	Hannay 22" Electric	3/4" x 150'
53-HA1830-B	Hannay 22" Manual	3/4" x 150'

Base Sprayers	Pump Type	Max Operation Capacity
21-84SSXX-P550	Piston	15 GPM / 600PSI
21-83SSXX-P550	Piston	15 GPM / 600PSI

## Optional Accessories

- Hose Roller Guides
- Spray Guns
- Root Feeders
- Measuring Wheel
- Ride-On Fill Kit
- Combination Lid Lock
- Anti-Icier boom

**870.248.9901**

**sales@gnci.org**

**www.gncindustries.com**